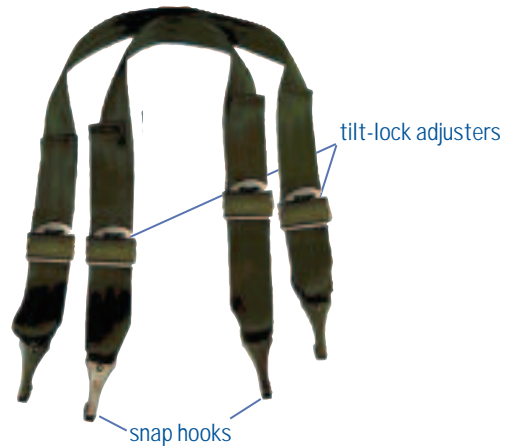




WARNING! DEATH or SERIOUS INJURY can occur if manufacturer's instructions are not followed correctly.

E-Z-ON® Model #100WC Wheelchair Mount *for Vehicles and School Buses*

- Designed to be used **only** with E-Z-ON® adjustable or non-adjustable vest fitted with the correct size and weight of the passenger.
- **Do not use** with E-Z-ON® Modified Vest. If used on a reclining wheelchair, a custom vest with double-crotch straps is needed.
- **Use only** as an occupant restraint system on a wheelchair for passengers weighing 20-168lbs.
- **Do not use** the E-Z-ON® Wheelchair Mount to secure the wheelchair during transport or as a tie-down system.
- **Be sure** the wheelchair is secured with a safety 4-point tie down system before using.
- **Be sure** to follow all of these directions carefully.
- **Replace** after a crash or 5 years from the date of manufacture.



E-Z-ON®
Products, Inc. of Florida

605 Commerce Way West • Jupiter, FL 33458

800-323-6598/561-747-6920 • Fax 561-747-8779 • www.ezonpro.com

© 2005 E-Z-ON®

E-Z-ON® Model #100WC Wheelchair Mount *for Vehicles and School Buses*

Securing the Passenger:

Be sure the passenger

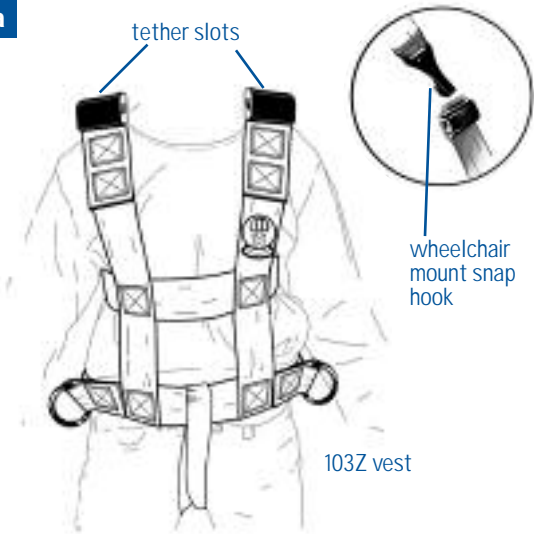
- a. has a properly fitted E-Z-ON® vest,
- b. has all closures secure,
- c. sits upright with buttocks against the wheelchair back.

Attaching the Wheelchair Mount

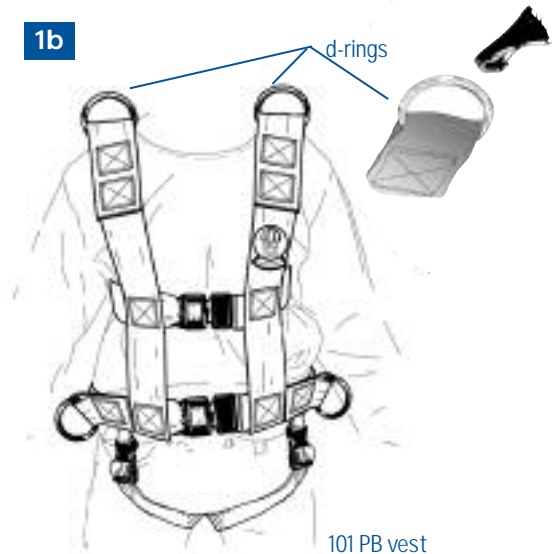
1. **Attach** snap hooks to the shoulders of the vest on either:

- a. tether slots (found on 103Z, 203 vests)
- or
- b. d-rings (found on 101Zipper, 101PB vests).

1a



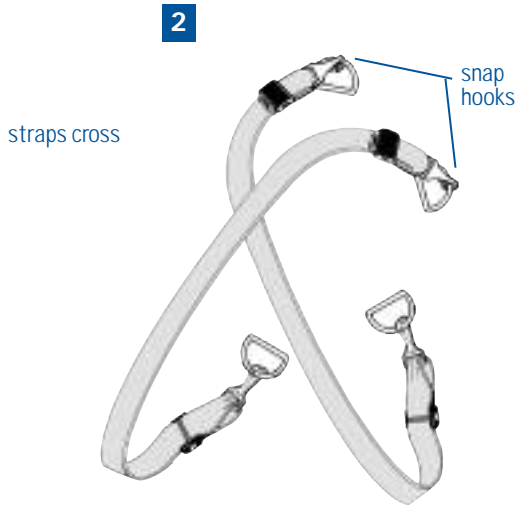
1b



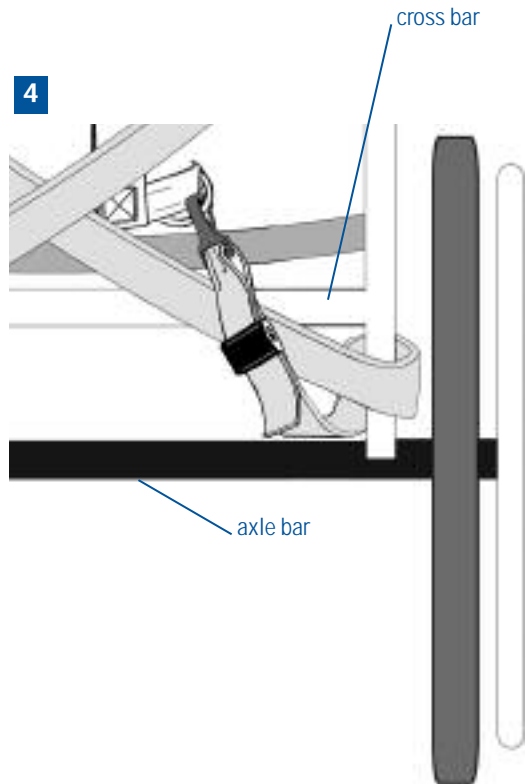
2. **Cross** snap hook straps, in the back of the wheelchair.

3. **Adjust** length of mount straps:
a. **lift up** on tilt lock adjuster to lengthen or shorten webbing,
b. **push down** on tilt lock adjuster to **lock** webbing.

4. **Wrap** both snap hook ends:
a. around base of cross bar,
b. above axle bar.

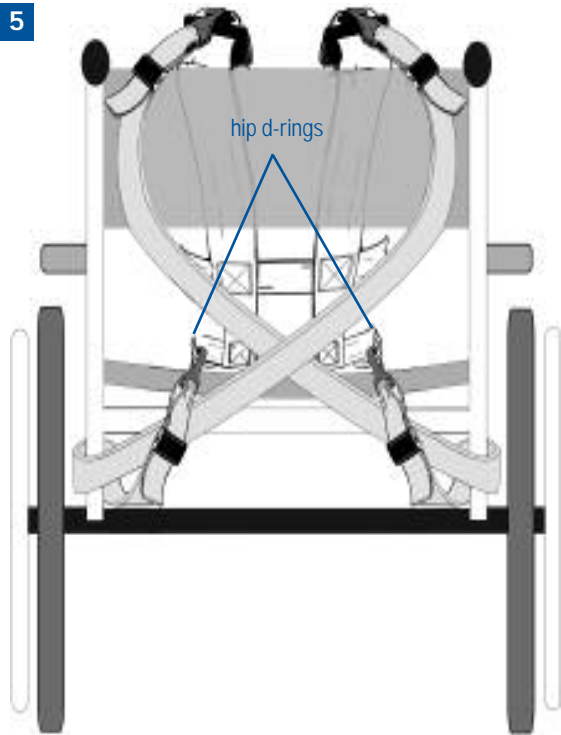


lift top strap to shorten
pull bottom strap to lengthen



5. **Attach** snap hooks to both hip d-rings.
6. **Reduce** strap slack to secure the wheelchair mount:
 - a. **lift up** on tilt lock adjuster to shorten webbing,
 - b. **push down** on tilt lock adjuster to lock webbing.

5



6



E-Z-ON[®]
Products, Inc. of Florida

605 Commerce Way West • Jupiter, FL 33458
800-323-6598/561-747-6920 • Fax 561-747-8779 • www.ezonpro.com
© 2005 E-Z-ON[®]