

! WARNING! DEATH or SERIOUS INJURY can occur if manufacturer's instructions are not followed correctly.

E-Z-ON[®] Model #86 Y Universal Harness *for Family Vehicles* Owners Manual

- Meets FMVSS213 with a booster and your vehicle seatbelt, 40-65 lbs.
- **Must use** for a passenger 66-168 lbs. with your vehicle seat-belt.
- **You must use** your E-Z-ON[®] hardware tether kit, 20-168 lbs., (included) to install this restraint if the factory installed tether anchor weight limit is less than the weight of your passenger or not available in your vehicle.
- **Replace** after a crash or 5 years from the date of manufacture.
- **Be sure** to register this restraint to be notified of a safety recall.

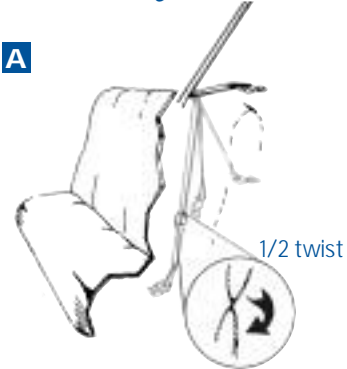


E-Z-ON[®]
Products, Inc. of Florida

605 Commerce Way West • Jupiter, FL 33458
800-323-6598/561 7474-6920 • Fax 561-747-8779 • www.ezonpro.com
© 2005 E-Z-ON[®]

E-Z-ON® 86 Y Harness

Installation Guide for Family Vehicles



The 86 Y Harness requires: a vehicle lap belt or (a locking clip for a lap/shoulder belt) or (a booster 40-65lbs.) and a proper tether anchor for a complete installation.

Find tether anchor bracket:

A. Check your vehicle owner's manual to **locate** the factory installed tether bracket in your vehicle. Vehicles have different anchor locations and weight limits.

- See www.saferideneews.com for more tether information.
- (86 Y tether strap **can be turned** one half-twist to correctly snap on difficult anchor locations.)

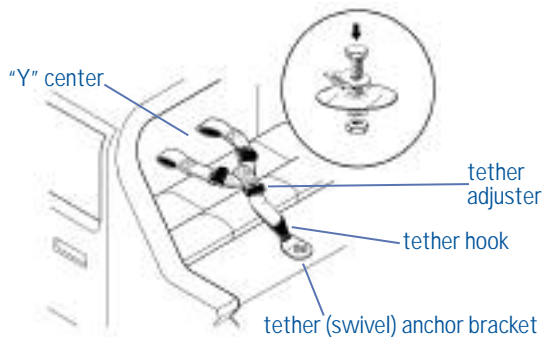
Lap belt-only with factory installed anchor

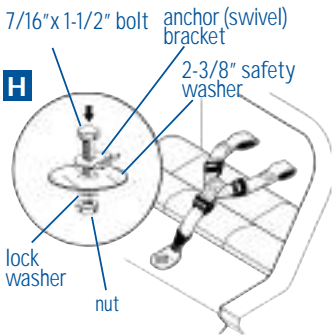
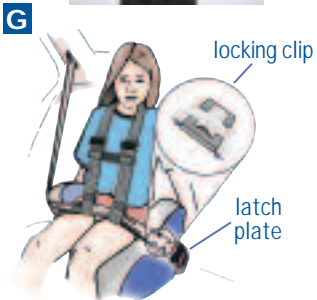
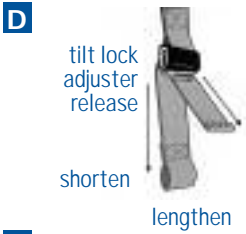
B. Place adjustable harness straps over each shoulder on the child. **Allow** belt loop ends to lay on child's lap. **Thread** vehicle lap-only belt across the lap, through each belt loop. **Buckle** the lap belt low.

C. Attach the tether hook to the anchor bracket directly behind the child, if possible. If not, 20 degrees away from the "Y" center is acceptable.

If your vehicle does not have a factory installed tether anchor, go to step I.

C E-Z-ON® tether kit assemble as shown





D. Tilt adjuster to release webbing. Pull webbing from each harness adjuster to lengthen or shorten the harness for proper fit. **Reduce slack. Do NOT** pull tight. **Be sure** lap belt is low on the lap (under booster arms if under 65 lbs.) under booster arms.

E. Snap together the chest clip ends. **Keep** always at center chest.

F. Tilt adjuster release. Pull tether strap snug. Reduce slack.

Lap-shoulder belt installation

G. Use a locking clip. (can be ordered from E-Z-ON®). **Buckle** the lap/shoulder belt and **reduce** slack. **Pinch** together the 2 belt parts near the latch plate and unbuckle the belt. **Thread** pinched webbing onto the the locking clip near the latch plate. **Thread** the "locked" lap belt portion like a lap belt. **Follow** steps in C.

Install the Anchor Kit

H. Find the correct location to install Y tether anchor kit. Vehicles older than 1999 may have predrilled anchor holes 5/16" (8 mm) and/or threaded weld nuts. These are smaller than the Y bolt. **Make** smaller holes larger, or **drill** 1-1/4" away from the original hole with a 7/16" bit. **Check** with a certified mechanic and **read** your vehicle manual before drilling.

! WARNING! Locate fuel tank and exhaust lines before drilling.

Tools needed: Drill with 7/16" bit, screw driver, wrench, silicone sealant, eye protection, tape measure, Y tether kit included (prepare as shown) Drill behind harness, (or within 20 degrees of the "Y" center) on solid flat sheet

45 degree angle



45 degree angle

metal. The anchor **should not be installed** more than 45 degrees from harness shoulder level. **Do not drill** under or below the vehicle seat back. **Make sure** bracket slot faces the front of the vehicle **before tightening. Silicone** the hole if it is open to the outside. **Follow steps C-G** to complete installation.

How to Register This Child Restraint

Child restraints could be recalled for safety reasons.

You **must register** this restraint in order to be notified of a recall.

Fill out the REGISTRATION CARD enclosed with your E-Z-ON® Harness, **send** your name address and the restraint model number and manufacturing date to the address below or **log** on to our website www.ezonpro.com and **fill out** your product information via our registration page.

For recall information, **call** the U.S. Government Auto Safety Hotline at 1 (800) 424-9393. In the Washington D.C. area call (202) 366-0123.



E-Z-ON®
Products, Inc. of Florida

605 Commerce Way West • Jupiter, FL 33458

800-323-6598/561-747-6920 • Fax 561-747-8779 • www.ezonpro.com

© 2005 E-Z-ON®